

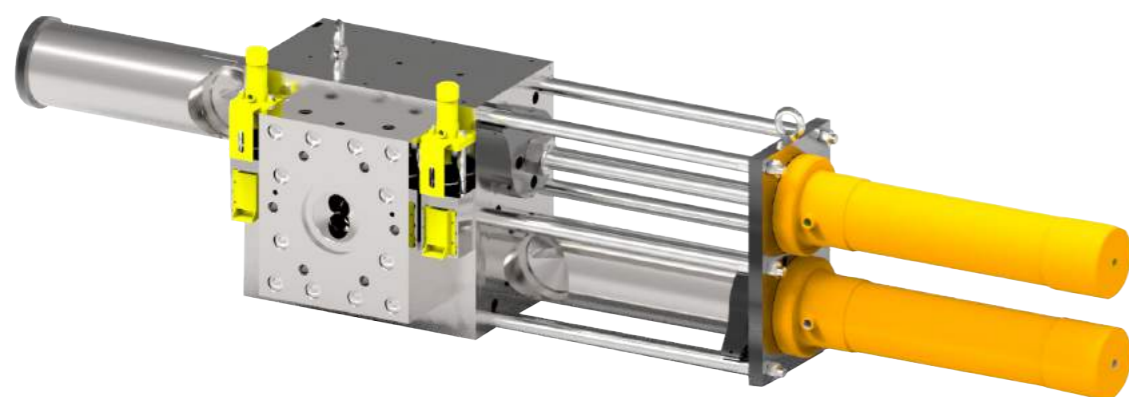
## 双柱四工位反冲洗液压换网过滤器

### Double Pillar Four Working Piston Backflush Hydraulic Screen Changer

#### 产品介绍:

Product Introduction:

- 该系列换网过滤器设计为四通道四滤网结构, 四网同时工作, 不中断料流, 不中断产品, 实现不停机换网
- 设计有排气系统, 可充分排除物料中和待换多孔板中夹杂的气体, 防止换网过程气体形成于产品中, 提高制品的质量
- 设计反冲洗功能, 实现在线反洗滤网, 滤网可反复利用200次以上
- 四流道设计更大可能的提高了过滤面积, 满足了更高产量、更高质量的生产要求
- 较大的过滤面积, 适合不同物料, 不同制品的挤出生产
- 具有良好的密封特性, 刚性密封, 使用寿命长
- 适用于高产能、高效益, 大型挤出装备的高产量连续化作业
- 尤其适合回收塑料的加工及大比例再生塑料的添加利用
- 具有自动洗网功能, 避免频繁换网
- 增产节能, 节约生产成本
- 根据用户需求可特殊设计、加工各种尺寸规格
- 具有安全防护罩设计
- 结构设计合理, 操作方便, 效果优良
- 用于化纤、吹膜、平膜、流延膜管材、板材、线材、纤维的制造, 切粒, 回收造粒等。

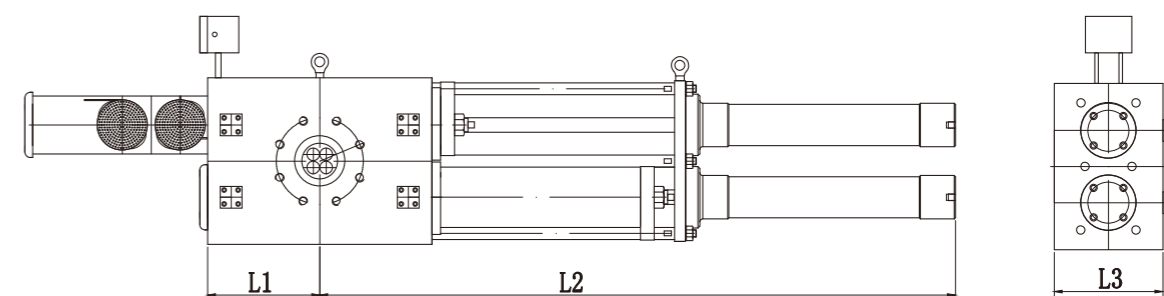


- The design is four channels and four filters. The four filters are working simultaneously without stopping material flowing or mass production. Thus the non-stop screen changing can be achieved.
- The exhaust air system is able to fully discharge the air inside the material or perforated plate which are to be replaced. It can avoid air forming in the product during screen changing, thus improve the product quality.

- The backflush function can achieve non-stop backflush filter. The filter can be recycled for more than 200 times.
- Four channel design greatly increase filtering area, and meet the higher quality or quantity production demand.
- Bigger filtering area are applicable for different material or extrusion products.
- It has better sealing characteristics with rigid sealing. The service life is longer.
- It is applicable for high productivity, high efficiency, high quantity and continuous production of large extrusion plant.
- It is especially applicable for recycled plastics or large proportion of recycled plastic
- With its automatic cleaning filter function, the frequent screen changing can be avoided.
- It can increase output and save energy consumption.
- We can customize various sizes or standards based on the client's requirement.
- It is configured with safety protection cover design.
- It has reasonable structure design, easier operation and better working effect.
- It is used for chemical fiber, blown film, flat film, cast film, pipe, plate, wire, fiber, granulating, recycling pelletizing, etc.

#### 技术参数:

Technical Parameter:



| 产品规格型号<br>type | 相关产量output<br>kg/h | 轮廓尺寸(mm) size |      |     | 滤网尺寸screen size |                       | 加热器Heating tube |         |           |
|----------------|--------------------|---------------|------|-----|-----------------|-----------------------|-----------------|---------|-----------|
|                |                    | L1            | L2   | L3  | 直径 (mm)         | 面积 (cm <sup>2</sup> ) | 数量              | 电压 (V)  | 加热功率 (W)  |
| ZB-DPF-4R-120  | 260~760            | 180           | 1160 | 220 | Ø100            | 78x4                  | 6               | 230/400 | 1000/1300 |
| ZB-DPF-4R-145  | 580~1400           | 225           | 1420 | 270 | Ø125            | 123x4                 | 6               | 230/400 | 2000/2400 |
| ZB-DPF-4R-170  | 750~2000           | 260           | 1595 | 310 | Ø150            | 177x4                 | 6               | 230/400 | 3000/3500 |
| ZB-DPF-4R-195  | 1350~3000          | 315           | 1890 | 380 | Ø175            | 240x4                 | 6               | 230/400 | 3500/4000 |
| ZB-DPF-4R-220  | 1650~3800          | 350           | 2100 | 410 | Ø200            | 314x4                 | 10              | 230/400 | 3500/4000 |
| ZB-DPF-4R-250  | 2100~5200          | 405           | 2395 | 460 | Ø230            | 415x4                 | 12              | 230/400 | 3500/4000 |
| ZB-DPF-4R-280  | 4500~8500          | 450           | 2760 | 500 | Ø250            | 490x4                 | 12              | 230/400 | 4200/5000 |

注: 实际产量取决于物料的流动性、过滤精度以及物料的纯净度。参数如有变动恕不另行通知。  
 Note: The actual output depends on material flowability, filter fineness and material purity. Specifications are subject to change without prior notice